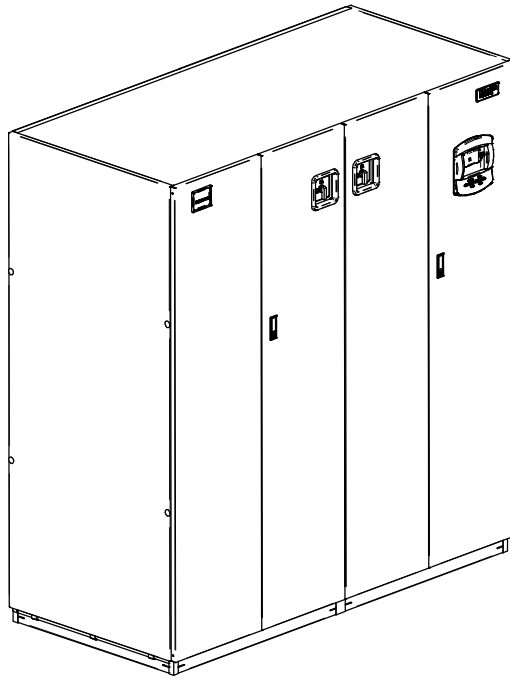


LIEBERT XD CHILLER (XDC) WITH iCOM CONTROLS



STANDARD FEATURES

TANDEM COMPRESSORS - Scroll with a suction gas cooled motor, vibration isolators, thermal overloads, manual reset high-pressure switch and pump down low-pressure switch.

REFRIGERATION SYSTEM - Dual R-407C refrigeration circuits each including liquid line filter dryers, refrigerant sight glass with moisture indicator, electronic control valve, adjustable externally equalized expansion valves and liquid line solenoid valves.

HEAT EXCHANGER - Brazed plate design with interwoven circuiting constructed of stainless steel plates, copper brazed.

PUMPS - Centrifugal type. Uses R-134a.

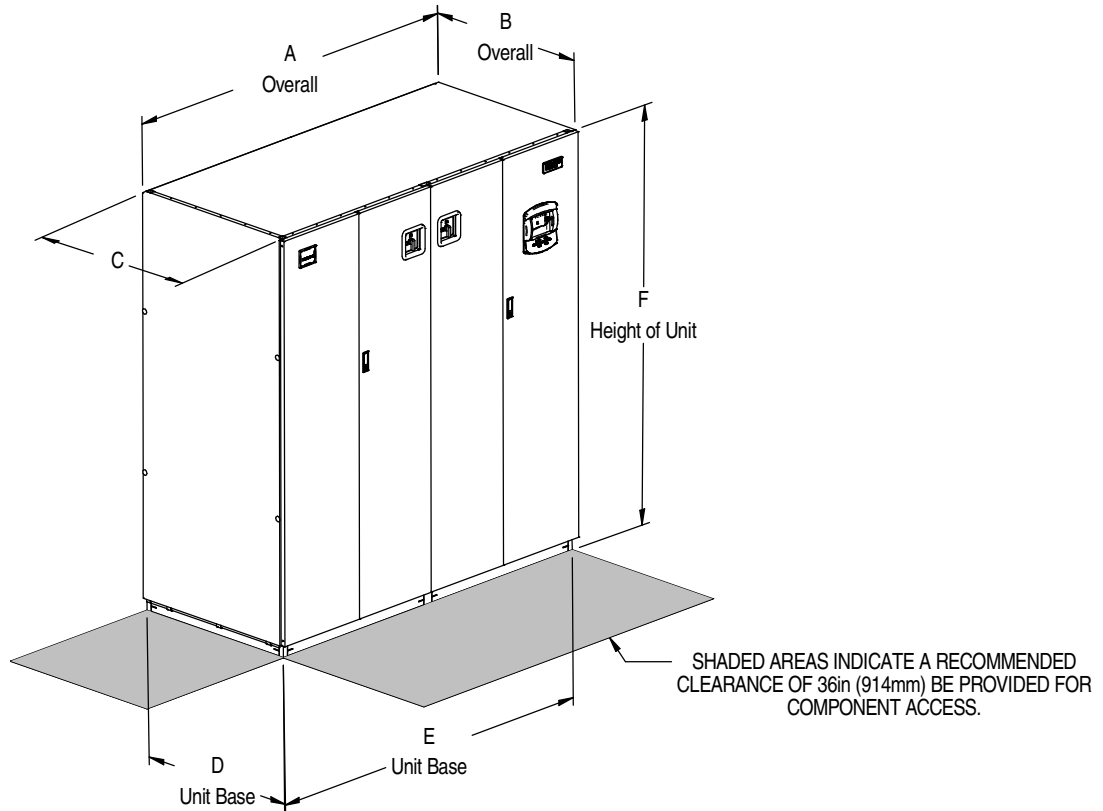
STANDARD CONTROL PROCESSOR - The standard control system is microprocessor-based with an external LCD numerical display to allow observation of specified settable functions. Normal operating conditions are indicated on the LCD display panel, which is mounted to the unit. The control system also monitors unit operation and activates an alarm when any of the specified factory preset conditions are exceeded.

CABINET AND FRAME - Custom powder painted steel panels. A hinged control access panel opens to a second front panel, which is a protected enclosure for all high voltage components. Frame is constructed of 14 gauge heli-arc welded tubular steel and painted using an auto-deposition coating system.

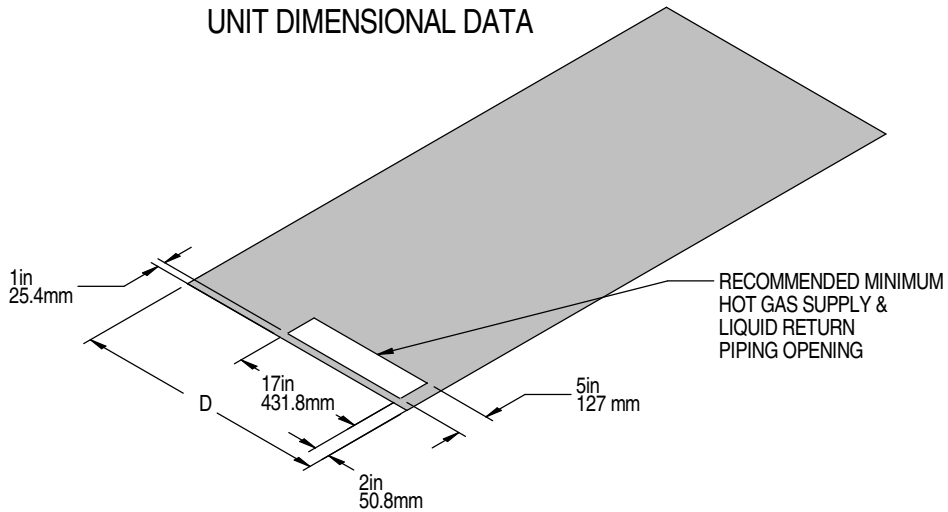
CANBUS ISOLATOR - Electrically isolates external CANBUS from internal CANBUS. Allows for greater total length of external CANBUS cables.

REFER TO SL-16655, LIEBERT XTREME DENSITY SYSTEM DESIGN MANUAL, AND SL-16674, LIEBERT XDC USER MANUAL FOR ADDITIONAL DETAIL.

LIEBERT XD CHILLER (XDC) WITH iCOM CONTROLS



UNIT DIMENSIONAL DATA



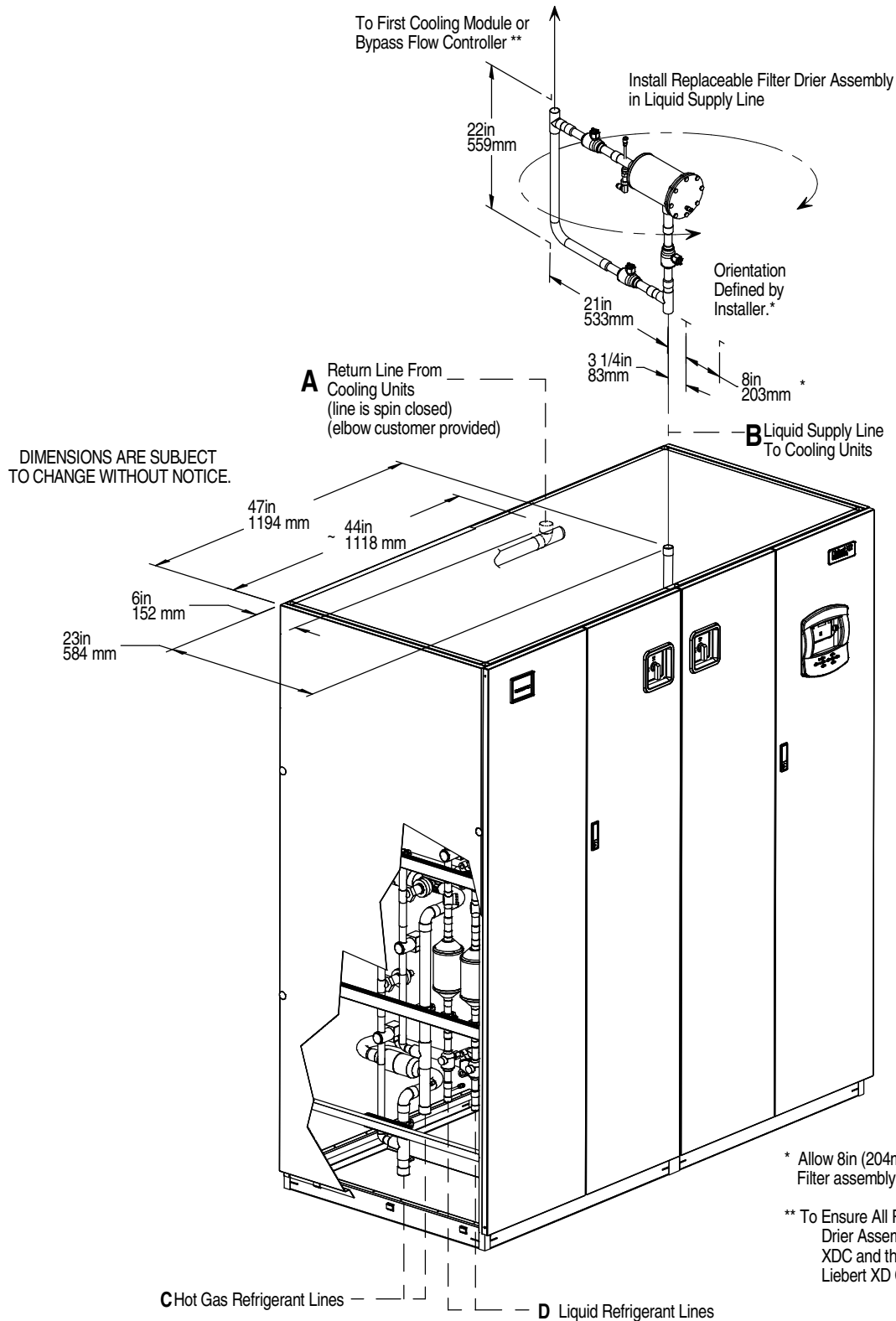
FLOOR CUTOUT DIMENSIONS

MODEL 50/60 HZ	DIMENSIONAL DATA inches (mm)						SHIPPED WEIGHT lbs (kg)	
	A	B *	C	D	E	F	DOM.	EXPORT
XDC160	74 (1880)	34 (864)	33-1/8 (841)	33 (838)	72 (1829)	78 (1981)	1975 (896)	2109 (957)

* Dimension Does Not Include the Bezel of the Disconnect Switch or iCOM Display.

REFER TO SL-16655, LIEBERT XTREME DENSITY SYSTEM DESIGN MANUAL, AND SL-16674, LIEBERT XDC USER MANUAL FOR ADDITIONAL DETAIL.

LIEBERT XD CHILLER (XDC) WITH iCOM CONTROLS



* Allow 8in (204mm) Of Clearance For Filter Replacement. Filter assembly may be positioned horizontally.

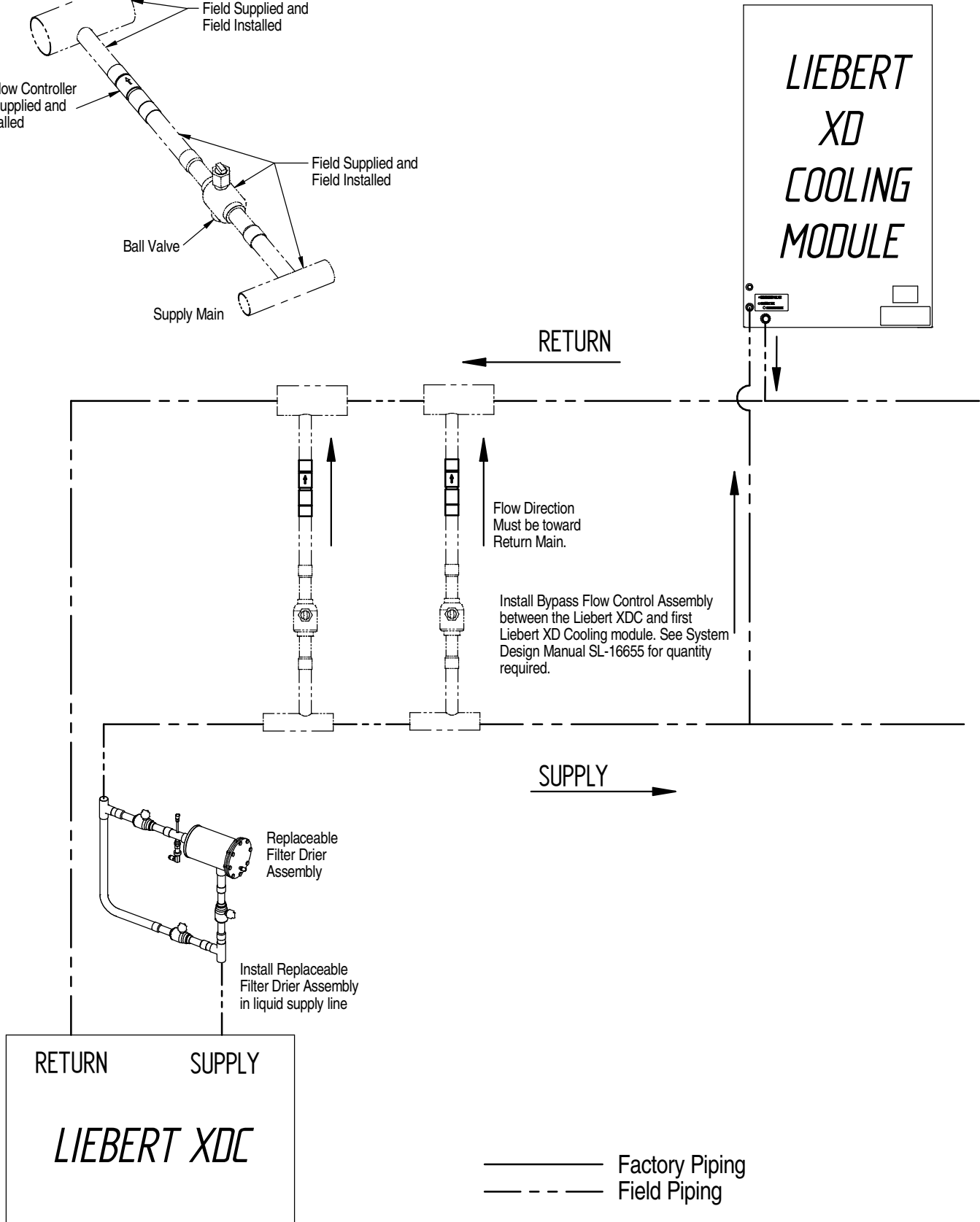
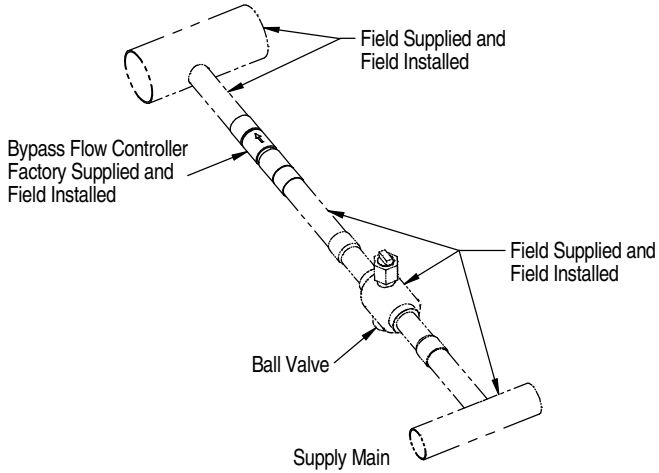
** To Ensure All Refrigerant Flow is Filtered, Install the Filter Drier Assembly Between the Discharge Line of the Liebert XDC and the first Bypass Flow Controller or the first Liebert XD Cooling Module.

UNIT PIPING OUTLET CONNECTION SIZES, inches				
MODEL	A	B	C	D
50/60 HZ	OD CU	OD CU	OD CU	OD CU
XDC160	2-1/8	1-1/8	1-3/8	7/8

REFER TO SL-16655, LIEBERT XTREME DENSITY SYSTEM DESIGN MANUAL, AND SL-16674, LIEBERT XDC USER MANUAL FOR ADDITIONAL DETAIL.

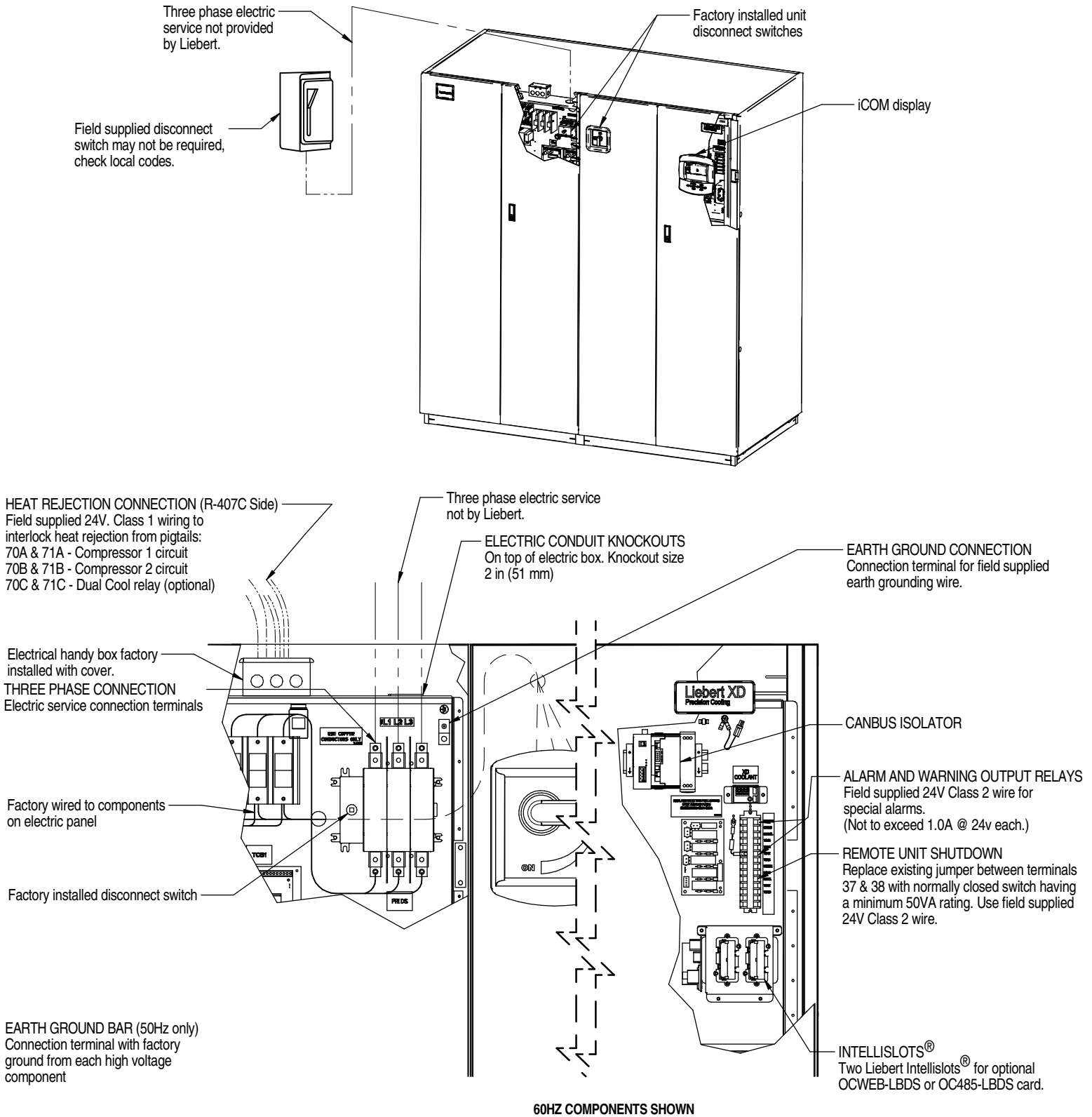
LIEBERT XD CHILLER (XDC) WITH iCOM CONTROLS

Bypass Flow Control Assembly Return Main



REFER TO SL-16655, LIEBERT XTREME DENSITY SYSTEM DESIGN MANUAL, AND SL-16674, LIEBERT XDC USER MANUAL FOR ADDITIONAL DETAIL.

LIEBERT XD CHILLER (XDC) WITH iCOM CONTROLS

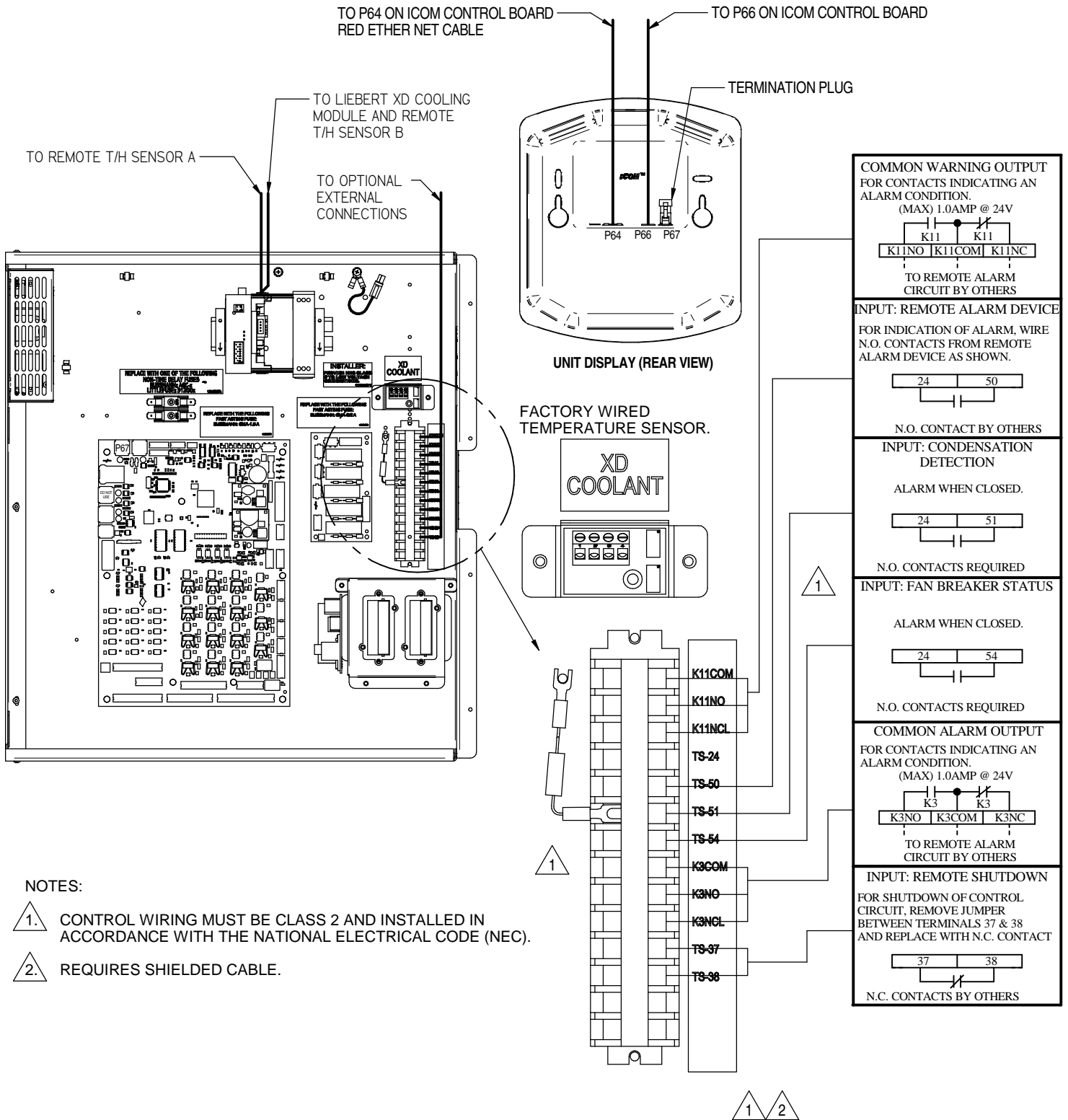


NOTE: Refer to specification sheet for full load amp. and wire size amp. ratings.

REFER TO SL-16655, LIEBERT XTREME DENSITY SYSTEM DESIGN MANUAL, AND SL-16674, LIEBERT XDC USER MANUAL FOR ADDITIONAL DETAIL.

LIEBERT XDC CHILLER (XDC) WITH iCOM CONTROLS

Liebert XDC Extra Low Voltage field connection points



REFER TO SL-16655, LIEBERT XTREME DENSITY SYSTEM DESIGN MANUAL, AND SL-16674, LIEBERT XDC USER MANUAL FOR ADDITIONAL DETAIL.